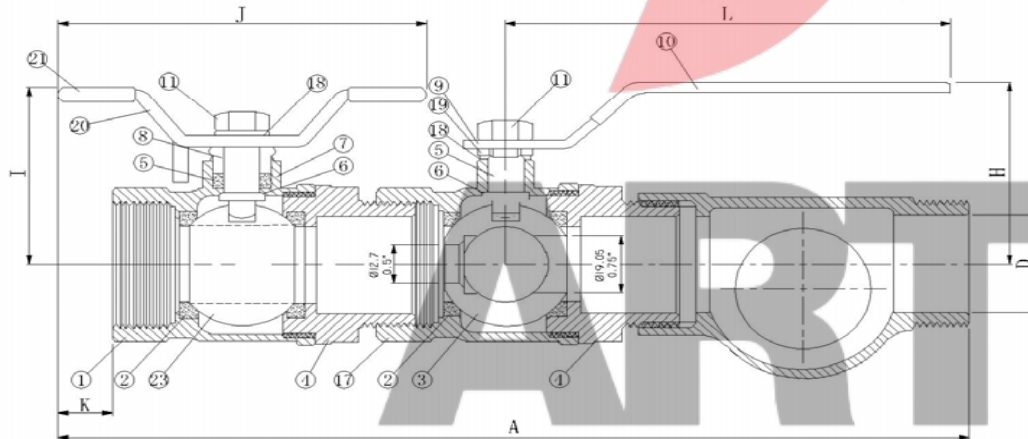
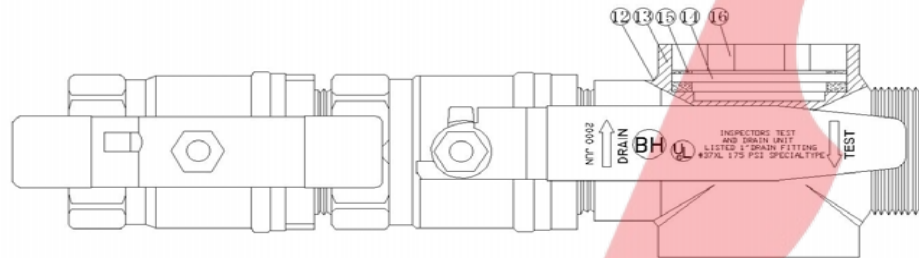


INSPECTOR TEST AND DRAIN



MATERIAL LIST

NO	DESCRIPTION	MATERIAL
1	BODY	CASTING BRONZE B584 CB4400
2	BODY SEAT	TEFLON
3	BALL	BRASS ROB B16 C36000
4	BODY INSERT	CASTING BRONZE B584 CB4400
5	STEM	BRASS ROB B16 C36000
6	STEM SEAT	TEFLON
7	BONNET SEAT	TEFLON
8	GLAND	BRASS ROB B16 C36000
9	HANDLE	CARBON STEEL
10	HANDLE SLEEVE	VINYL
11	NUT	BRASS ROB B16 C36000
12	BRASS SIGHT GAUGE	BRASS B584 C85700
13	PACKING	NBR
14	CLEAR PLATE	ACRYLIC
15	FIBER WASHER	VULCANIZED FIBER
16	FIX COLLAR	BRASS B584 C85700
17	BALL VALVE	CASTING BRONZE B584 CB4400
18	SPRING	STAINLESS STEEL
19	WASHER	TEFLON
20	OVAL HANDLE	CARBON STEEL
21	HANDLE SLEEVE	VINYL
22	BALL	BRASS ROB B16 C36000

NOTES

- 1 Handle sleeve to be red with white copy
- 2 All dimensions in parenthesis are millimeteres
- 3 Orifice size: Test position-equivalent to a Y2" orifice sprinkler, Drain position-equivalent to a 1" globe valve
- 4 The valve handle is shown in the test position
- 5 The body (item1) and body insert (item4) are to be chemically analyzed for one ball valve sample from each purchase lot to verify that the zinc content is the maximum of 40.5% permitted for brass rod B16 C38000, the analysis records are to be retained on file

NOMINAL SIZE	IN	1	1 1/4	2
A	mm	261.5	275	371
D	mm	25.4	31.75	50
H	mm	60	60	90
L	mm	130	130	155
I	mm	61	64	79
J	mm	110	110	134
K	mm	22.5	13	13.5
WEIGHT	kg	1.87	2.38	5.97